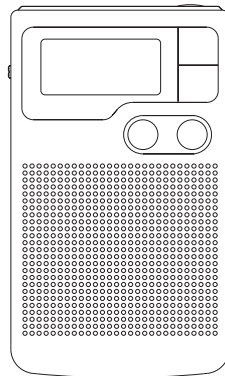




# DT-200X



**GB**

Version 1





### Limited Warranty

Sangean America, Inc. warrants this product to be free from defects in material and workmanship under normal use and conditions for a period of 90 (Ninety) days from the date of original purchase on parts and labor.

Should service be necessary for any reason due to manufacturing defect or malfunction during the warranty period Sangean America, Inc. will repair or replace at its discretion, the defective merchandise at no charge (except for small charge for handling, packing, return postage and insurance), upon delivery of this product to Sangean America, Inc. service center with a copy of proof of purchase date.

Warranty is only valid in the United States of America, Canada, and Mexico and is not transferable to owners subsequent to the original owner.

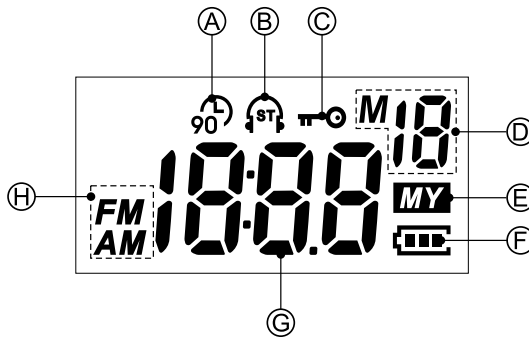
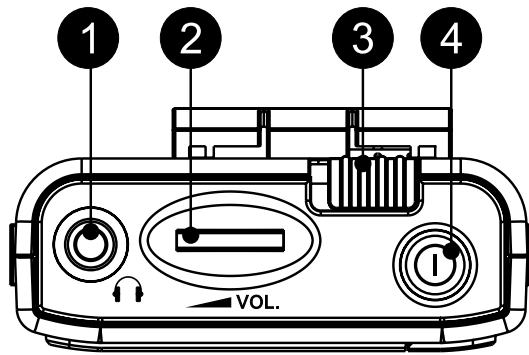
This warranty does not cover intentional or accidentally damaged product, or items used in ways other than the item was intended to be, units repaired or altered by persons other than Sangean America, Inc., or damage caused by parts, accessories, or batteries not supplied or approved for use by Sangean America, Inc.

Any applicable implied warranties, including the warranty of merchantability, are limited in duration to a period of 90 (Ninety) days from the date of original purchase. No other warranties, whether expressed or implied shall apply to this product thereafter. Sangean America, Inc. is not liable for any loss or damage, direct or consequential arising out of the use of, or inability to use this product. (Some states do not allow limitation or implied warranties or exclusion of consequential damage, therefore, these restrictions may not apply to you.)

This warranty gives you specific legal rights and these and additional rights may vary from state to state.

To return product for warranty repair:

1. Remove the batteries (if applicable) and carefully pack the unit along with all it's accessories in a suitable well padded corrugated box.
2. Enclose copy of proof of purchase with date and a letter describing your specific problem.
3. Enclose your check or money order payable to Sangean America, Inc. for the sum of \$6.00 for return processing and shipping.
4. Insure and ship the unit via UPS, FedEx, or Parcel Post to:  
Sangean America, Inc.  
Service Department  
2651 Troy Avenue  
South El Monte, CA 91733





### ① Headphone/Antenna Jack

Note:

To improve reception during speaker use, leave headphones or external antenna device plugged in through earphone jack.

### ② Volume Control

You can rotate the volume control wheel located on the top of the unit clockwise to increase volume, counter-clockwise to decrease volume.

### ③ Deep Bass Boost

The deep bass boost selector switch located on the top back of the unit provides better bass response. Best result will be achieved when using headphones.

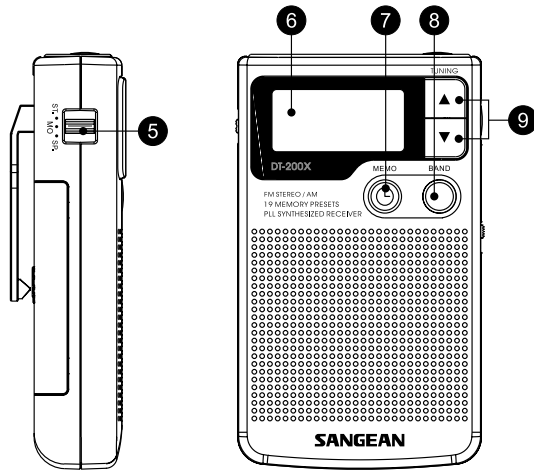
- To select Deep Bass Boost slide switch to the left.
- To turn off slide switch to right.

### ④ Power switch

Allows you to turn the unit on and off.

## Display

- Ⓐ 90 Minute Auto Timer Indicator
- Ⓑ Stereo Tuned Indicator
- Ⓒ Lock Button Activated
- Ⓓ Memory Preset Position
- Ⓔ MY Favorites Feature Activated
- Ⓕ Battery Life Indicator
- Ⓖ Time Display
- Ⓗ Band Indicator





### ⑥ Speaker/Headphone Selector

On the top left side of the radio you will find the output selector switch. With this selector switch you can choose to use the built-in speaker, or headphones.

#### ***To use speaker:***

Set selector switch to SP. Selection

#### ***To use Headphones:***

- In Stereo Mode: Set selector to ST. If the station is tuned in stereo there will be a headphone indicator with ST. on the top middle part of the display.
- In Mono: Set selector to MO.

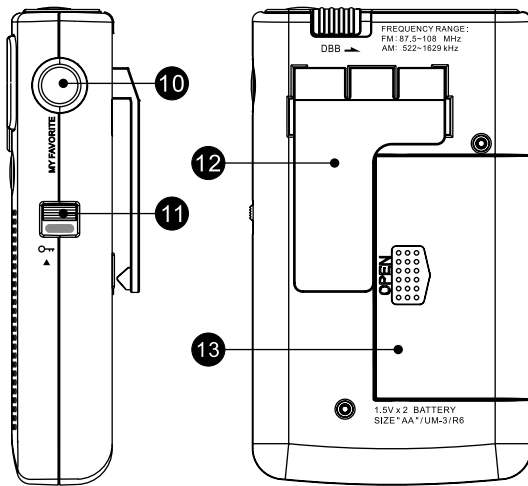
### ⑥ LCD Display

### ⑦ Memory Button/Clock Set

### ⑧ Band Selection

### ⑨ Manual Tuning









#### 10 My Favorites

#### 11 Lock Switch

The lock switch prevents accidental changing of any of the radio settings.

- To enable the lock function slide the lock button located on the right side of the unit to the up position. When lock is activated there will be this symbol located on the top of the display. At this time no buttons should function.
- To disable the lock function, slide the switch to the down position.

#### 12 Belt Clip

A removable belt clip is provided on the back of the unit.

##### **Removal:**

It can be removed by gently pushing on the center tab of the clip where indicated, and sliding the clip downward towards the bottom of the radio.

##### **Replacement:**

You can easily connect the belt clip by inserting the top of the clip into the designated receiver slots and gently pushing the clip in an upwards motion towards the top of the radio.

#### 13 Battery Compartment





## Battery Installation

### NOTE:

A flashing "E" appearing on the LCD display indicates a weak battery and that replacement of batteries is required.

- Turn radio off.
- Prepare replacement batteries to ensure a quick and easy change. Failure to change batteries within 1 minute will reset presets and clock settings.
- The battery cover is located on the back of the unit. Apply a gentle downward pressure and slide the door to the right side of the unit.
- Place 2 'AA' batteries inside the unit oriented to the illustration located just below the battery compartment.

## Tuning the Radio

### *Seek Tuning*

- Turn radio on using the On/Off button located on the top of the radio.
- Select desired band by pressing the "Band" selector on the front of the unit.
- Press and hold the proper tuning button (Up/Down) for approximately ½ second. Radio will seek for next active signal station.
- Repeat as many times as desired.



### **Manual Step Tuning**

- Turn radio on using the On/Off button located on the top of the radio.
- Select desired band by pressing the “Band” selector on the front of the unit.
- Press the desired tuning button (Up/Down) repeatedly until desired frequency is found.

### **Memory Tuning**

To tune in stations already programmed into memory. See Setting Memory Section for instructions on how to program stations into radio memory.

- Turn radio on using the On/Off button located on the top of the radio.
- Press “My Favorites” button located on the right side of the radio. “MY” should appear on the right hand of the display indicating function is on.
- Use tuning controls (Up/Down) to navigate through memory programmed stations.
- Press “My Favorites” button to turn off memory tuning.

### **Setting Memory**

- Turn radio on using the On/Off button located on the top of the radio.
- Select desired band by pressing the “Band” selector on the front of the unit.
- Tune to desired station using either Manual Step Tuning or Scan Tuning options.
- Press Memory Button located on the front of radio unit and use the tuning controls (Up/Down) to reach memory position as indicated in the top-right of the display.
- Press Memory Button located on the front of the unit to lock station into memory.



### Setting the Clock

This unit features a clock that will display the current time while off. To set the clock:

- Turn unit off by depressing the power button located on the top of the radio.
- Press and hold MEMO or CLOCK button until the hour setting begins blinking and the colon is no longer blinking.
- Select hour by using the Tuning Control Buttons located just to the right of the display. Adjust UP or DOWN accordingly until desired hour is displayed.
- Press MEMO or CLOCK button once to set the minutes.
- The minute indicator should now be blinking. Using the Tuning Control Buttons located just to the right of the display. Adjust UP or DOWN accordingly until desired minutes is displayed.
- Once time displayed matches desired setting press MEMO or CLOCK button once more.
- Time should display solidly, with the colon blinking periodically.

### Auto shut off timer

For battery saving, this radio equips with 90 minutes auto shut off timer. Radio will be turned off automatically after 90 minutes of listening. You have to turn on the power again to continue the listening.

To disable 90 minutes auto shut off device, you can long press the power button for more than 2 seconds each time you turn on the radio until display auto shut off symbol disappears.



## SPECIFICATIONS

**Band Frequency:**

AM 520 - 1710 kHz

FM 87.5 - 108 MHz

**Earphone Jack:**

3.5mm mini-plug

16 ohm impedance (stereo)

**Output Power:**

60mW (10% THD) via built-in speaker

16 ohm impedance (stereo)

**Speaker:** 1  $\frac{3}{8}$  inch diameter, 4 ohms impedance

**External Power:**

	Speaker	Earphones
AM	60	50mA
FM	70	60mA

**Batteries:** 3 Volts (AA size)x2

**Dimensions (WxHxD):** 2.5" W x 4.2" H x 1.2" D

**Weight:** 3.8 ounces approximately without batteries.

