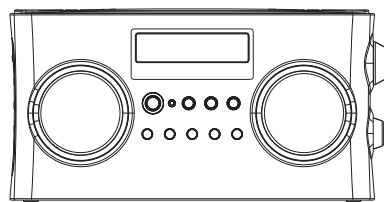


PR-D15



GB

Revision 1

Important safety instructions

GB

1. Read these instructions.
2. Keep these instructions.
3. Heed all warnings.
4. Follow all instructions.
5. Do not use this apparatus near water.
6. Clean only with dry cloth.
7. Do not block any ventilation openings. Install in accordance with the manufacturer's instructions.
8. Do not install near any heat sources such as radiators, heat registers, stoves, or other apparatus (including amplifiers) that produce heat.
9. Do not defeat the safety purpose of the polarized or grounding-type plug. A polarized plug has two blades with one wider than the other. A grounding type plug has two blades and a third grounding prong. The wide blade or the third prong are provided for your safety. If the provided plug does not fit into your outlet, consult an electrician for replacement of the obsolete outlet.
10. Protect the power cord from being walked on or pinched particularly at plugs, convenience receptacles, and the point where they exit from the apparatus.

11. Only use attachments/accessories specified by the manufacturer.
12. Use only with the cart, stand, tripod, bracket, or table specified by the manufacturer, or sold with the apparatus. When a cart is used, use caution when moving the cart/apparatus combination to avoid injury from tip-over.

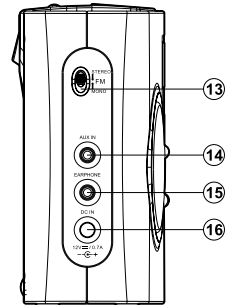
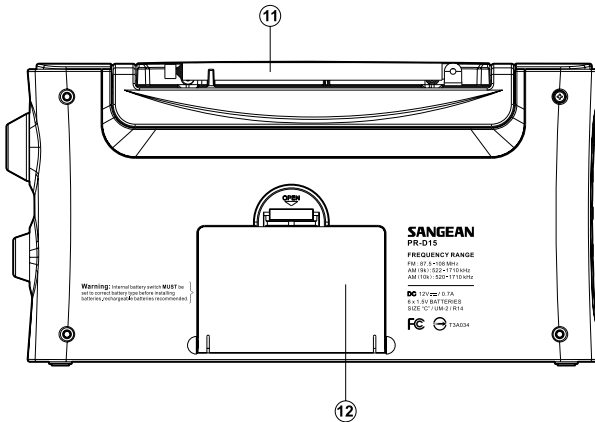
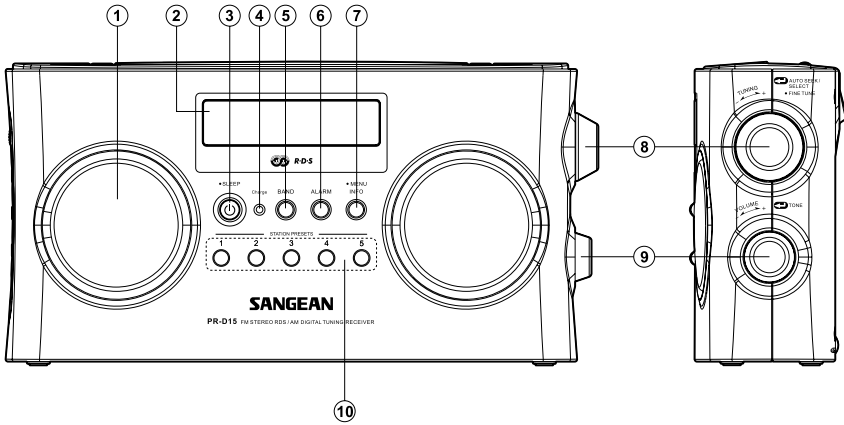
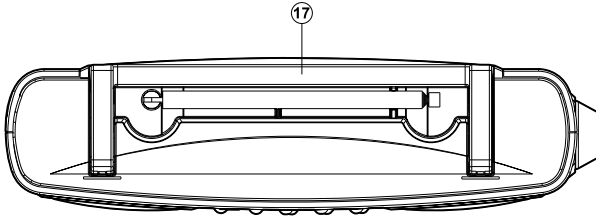


13. Unplug this apparatus during lightning storms or when unused for long periods of time.
14. Refer all servicing to qualified service personnel. Servicing is required when the apparatus has been damaged in any way, such as power-supply cord or plug is damaged, liquid has been spilled or objects have fallen into the apparatus, the apparatus has been exposed to rain or moisture, does not operate normally, or has been dropped.
15. To Reduce the Risk of Fire or Electric Shock, Do not Expose This Appliance To Rain or Moisture.
16. The Shock Hazard Marking and Associated Graphical Symbol is provided on the rear of unit.
17. Apparatus shall not be exposed to dripping or splashing and no objects filled with liquids, shall be placed on the apparatus.

18. Excessive sound pressure on ear- and headphones could impair the hearing ability. Higher setting that idle on the equalizer leads to higher signal voltages on the output for ear and headphones.
19. The power plug should be close to the radio, and easy to be approached that during the emergency, to disconnect the power from the radio, just unplug the power plug from the AC power slot.
20. Where the MAINS plug or an appliance coupler is used as the disconnect device, the disconnected device shall remain readily operable.

IMPORTANT NOTE:

To comply with the FCC RF exposure compliance requirements, no change to the antenna or the device is permitted. Any change to the antenna or the device could result in the device exceeding the RF exposure requirements and void user's authority to operate the device.



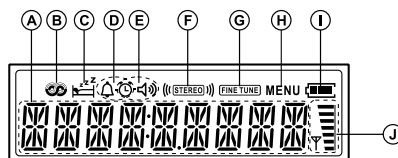
Controls

- ① Speaker
- ② LCD display
- ③ Power / Sleep button
- ④ Charging LED indicator
- ⑤ Band button
- ⑥ Alarm button
- ⑦ Menu / Info button
- ⑧ Tuning / Auto seek / Select / Fine tune knob
- ⑨ Volume / tone control
- ⑩ Preset buttons
- ⑪ Antenna
- ⑫ Battery compartment
- ⑬ FM stereo / mono switch
- ⑭ AUX in socket
- ⑮ Earphone socket
- ⑯ DC input socket
- ⑰ Handle

GB

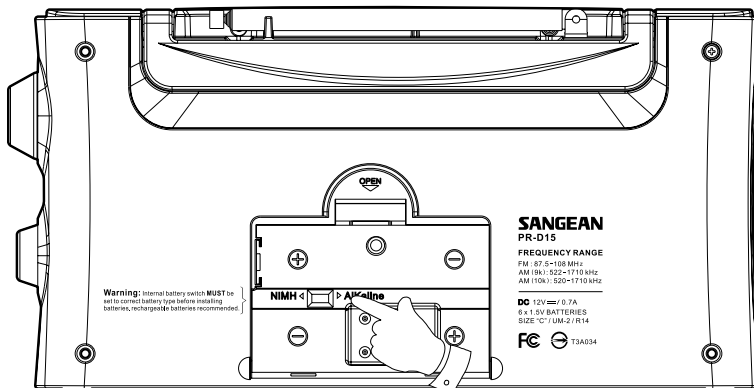
LCD display

- A Frequency / Time
- B RDS indicator
- C Sleep / Snooze indicator
- D Buzzer alarm indicator
- E Radio alarm indicator
- F Stereo indicator
- G Fine tune indicator
- H Menu indicator
- I Battery life indicator
- J Signal level indicator



Battery operation using alkaline batteries

1. Remove the battery cover on the back of the unit .
2. Slide the switch inside the battery compartment to the Alkaline position.



3. Insert 6 LR14 (C size) alkaline batteries into the spaces in the compartment. Take care to ensure all batteries are inserted with the correct polarity as shown on the back of the radio. Then replace the battery cover.

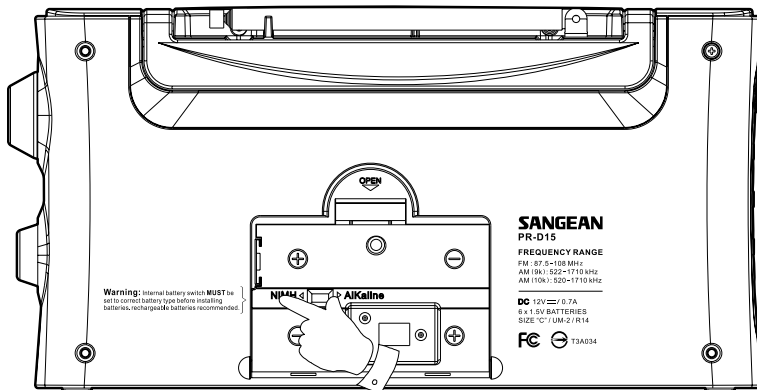
Important:

- when using alkaline batteries the battery switch must be placed in the alkaline position. Failure to do so could result in serious damage to the batteries or radio.
- When the batteries are exhausted, you can tell from the battery life indicator on the top right corner of the display. The radio will then switch itself off. It may not be possible to switch the radio back on until the batteries are replaced, or until the radio is connected to the mains adaptor.

- If the radio is not to be used for any extended period of time it is recommended that the batteries are removed from the radio.
- We would recommend for economy that the unit is used via the AC adaptor whenever possible with battery operation for occasional or stand-by use only. If extended listening using batteries is anticipated, then the use of rechargeable batteries is recommended.

Battery operation using rechargeable batteries

1. Remove the battery cover on the back of the unit .
2. Slide the switch inside the battery compartment to the NiMH position.



3. Insert 6 Rechargeable LR14 (C size) batteries into the spaces in the compartment. Take care to ensure all batteries are inserted with the correct polarity as shown on the back of the radio. The radio is designed to be used with Nickel Metal Hydride (NiMH) rechargeable batteries.
4. Plug the mains adaptor into your radio and then plug the adaptor into the mains.
5. The battery light will flash red indicating batteries are charging. The battery light shows a steady red light when the battery charging is complete.

Important:

when using rechargeable batteries the battery switch must be placed in the NiMH position. Batteries will only be charged when the radio is switched off and connected to the AC adaptor.

- When the batteries are exhausted, you can tell from the battery life indicator on the top right corner of the display. Charging time takes 8 hours depending on capacity (3500mAh) of the rechargeable batteries in use. The radio will then switch itself off. It may not be possible to switch the radio back on until the batteries are recharged, or until the radio is connected to the mains adaptor.
- If the radio is not to be used for any extended period of time it is recommended that the batteries are removed from the radio.

IMPORTANT:

The batteries should not be exposed to excessive heat such as sunshine, fire or the like. After use, disposable batteries should if possible be taken to a suitable recycling centre. On no account should batteries be disposed of by incineration.

Manual Clock setting



1. Clock can be set with the radio power on or off.
2. Press and hold the Menu/ Info button for more than 2 seconds.
3. Rotate the Tuning knob until “CLOCK SET” shown on the display. Press the Tuning knob to enter the setting. Now the hour digit will flash.
4. Rotate the Tuning knob to set the required hour and press the knob to confirm the setting. Now the minute digit will flash.
5. Rotate the Tuning knob to set the required minute and press the Tuning knob to confirm the setting. Now the time setting is completed.

Auto clock setting

a. Radio data system (RDS)

When you set the clock time using the RDS function, your radio will synchronize its clock time whenever it tunes to a radio station using RDS with CT signals.

GB


1. When tuning to a station transmitting RDS data, press and hold the Menu button.
2. Rotate the Tuning control knob until a clock symbol  appears on the display. Press the Tuning control knob to enter the setting.
3. Rotate the Tuning control knob until RDS CT (or 'RBDS CT' in the US) appears on the display. Press the Tuning control knob to confirm the setting. The clock time of the radio will set up automatically according to the RDS data received.
4. When the action is completed, you can put your radio in standby mode, the RDS icon  will appear on the LCD display indicating the radio time is RDS clock time. The radio clock time will be valid for 24hours each time the radio time is synchronized with RDS CT.

Note:

RDS service is mainly available in Europe (including UK) and part of Northern America plus some of Asian countries only.

b. Manual (if your don't want to synchronize clock time with (RDS CT)

When choosing manual setting as the clock time setting of your radio, Radio Data System (RDS) function will both be disabled.

1. Press and hold the Menu button.
2. Rotate the Tuning control knob until a clock symbol  appears on the left side of the display, then press the Tuning control knob to enter the setting. Rotate the Tuning control knob until 'MANUAL' appeared on the display, then press the Tuning control knob to select the setting.
3. Then follow the steps described in the section of 'Manual clock setting' to set the clock time manually.

Change 12/24 hour clock format

1. Press and hold the Menu button to enter the setting.
2. Rotate the Tuning control knob until 'CLOCK 12H' is highlighted on the display. Press the Tuning control knob to enter the setting.
3. Rotate the Tuning control knob to choose 12/24 hour clock format. Press the Tuning control knob to confirm the setting.

Date setting

1. Press and hold the Menu button to enter the setting.
2. Rotate the Tuning control knob until 'DATE SET' is highlighted on the display. Press the Tuning control knob to enter the setting.
3. Rotate the Tuning control knob to select the desired year and press the knob to confirm the setting.
4. The month digit will flash on the display. Rotate the Tuning control knob to select the desired month and press the knob to confirm the setting.
5. The date digit will flash on the display. Rotate the Tuning control knob to select the desired date and press the knob to confirm the setting. Now the date setting is completed.

GB

Change date format

1. Press and hold the Menu button to enter the setting.
2. Rotate the Tuning control knob until date format (e.g. May 17 FR) is highlighted on the display. Press the Tuning control knob to enter the setting.
3. Rotate the Tuning control knob to choose your desired format. Press the Tuning control knob to confirm the setting.

Operating the radio

Tuning the radio

1. Press the Power button to turn on the radio.
2. Select the required waveband by pressing the Band button.
There are 3 bands which are FM, AM and AUX-IN.
3. Rotate the Tuning knob to the desired frequency, shown in the display.
4. Or, press the TUNING knob to seek for the next available station.
5. Rotate the Volume knob (on the side of the radio) to get required sound level.
6. To turn off the radio, press the Power button.

Fine tune

This function allows you to tune the station with more specific step increment with 10kHz in FM/ 1kHz in AM.

1. Press the Band button to FM/ AM mode.
2. Press and hold the Tuning control until 'FINE TUNE' shown on the display. Now you can tune the station with 10kHz in FM or 1kHz in AM.
3. To cancel the function, press and hold the Tuning control until 'FINE TUNE' disappears from the display.

Storing station presets

There are 5 memory presets for each waveband – STATION PRESETS 1 to 5.

GB

1. Press the Power button to turn on the radio.
2. Tune to required station using one of the methods previously described.
3. Press and hold the required preset until the radio beeps. The preset number will appear in the display (such as: P2) and the station will be stored under chosen preset button.
4. Repeat this procedure for the remaining presets.
5. Stations stored in preset memories can be overwritten by following above procedures.

Recalling stations presets

1. Press the Power button to turn on the radio.
2. Select the required waveband.
3. Momentarily press the required Preset button, the preset number and station frequency will appear in the display.

Setting up the tuning step increment

1. Press and hold the Menu button to enter the setting.
2. Rotate the Tuning control knob until FM xxkHz or AM xxkHz appears on the display, and press the knob to enter the step increment setting.
3. Rotate the Tuning control knob to select 50kHz/100kHz for FM radio, and 9kHz/10kHz for AM radio. Then press the Tuning control knob to confirm the setting (10kHz for North and South of America/9kHz for Europe).

Volume and Tone control

1. Rotate the volume control knob to set the required volume level, display will show volume level (maximum to 30)
2. Press Volume control once to get into T\treble control. Rotary the control until required treble is reached.
3. Press Volume control twice to get into bass control. Rotary the control until required bass is reached.

FM Stereo / Mono button

1. If a station being received is weak, some hiss may be audible. To reduce the hiss, switch Mono/ stereo button to mono mode and stereo icon will disappear on the display.
2. Switch the Mono/ stereo button to return to Stereo operation.

Display modes-FM

Your radio has a range of display options for FM radio mode.

GB

1. Repeatedly press and release the Info button to view the RDS information of the station you are listening to.
 - a. Station name Displays the name of the station being listened to.
 - b. Program type Displays the type of station being listened to such as Pop, Classic, News, etc.
 - c. Radio text Displays radio text messages such as new items etc.
 - d. Year / Day Displays the year and day of the week according to the date setting of your radio.
 - e. Date / Day Displays the date and day of the week according to the date setting of your radio.
 - f. Time Display the time according to the time setting of your radio.
 - g. Frequency Displays the frequency of the FM for the station listened to.

If there is no RDS data available (or if the signal is too weak) then the radio will display only the FM frequency.

Alarm setting

There are two alarms which can each be set to wake you to AM/FM radio or buzzer alarm. The alarms may be set while the unit is in standby mode or while playing. Ensure that the time is set correctly before setting the alarms.

Note:

Alarm setting can be done only when time setting is completed. Alarm can be operated when radio is on or off.

1. Before setting an alarm ensure the clock time is set. To enter the alarm setting, press and hold Alarm button until your radio beeps.
2. The hour setting will begin to flash. Rotate the Tuning control knob to select the required alarm hour, and press the Tuning control knob to confirm the setting. Rotate the Tuning control knob to select the required alarm minute, and press the Tuning control knob to confirm the setting.
3. Then the display will show the frequency options for the alarm. Rotate the Tuning control knob to select the desired option and press the control knob to confirm the setting.

The alarm options are as follows:

ONCE – the alarm will sound once

DAILY – the alarm will sound everyday

WEEKDAY – the alarm will sound only on weekdays

WEEKEND – the alarm will sound only at weekends

4. Rotate the Tuning control knob to choose the required alarm type, and then press the Tuning control knob to confirm the setting. The alarm can be set to FM, AM or Buzzer.. When radio type is selected, the radio frequency on the display will begin to flash. Rotate the Tuning control knob to adjust the required radio frequency or press the corresponding preset button as desired for the radio alarm, then press the Tuning control knob to confirm the setting.
5. Rotate the Tuning control knob to select the required alarm volume and press Tuning control knob to confirm the setting. The alarm has now been set. Symbol for active alarm is shown on the display.

When the alarm sounds

When the buzzer alarm activates, the alarm will start softly and gradually increase in level. It will sound for 1 minute and silence for 1 minute in repetition for 60 minutes unless cancelled. When the other alarm types are set, the radio will sound non-stop at the selected time for up to 60 minutes.


When the radio alarm is activated, the alarm will go off in Humane Waking System. It will increase its volume in 0.5 increments from 0 to your set volume.

To deactivate a sounding alarm, press the Power button to cancel a sounding alarm.

Disabling / cancelling alarm setting

To cancel the alarm setting, press and hold the Alarm button before the alarms sound off.



Snooze

1. When the alarm sounds, press any button other than the Power button will silence the alarm for 5 minutes. “” will appear on the display.
2. To adjust the silence time for the snooze timer, press and hold the Menu button to enter the menu setting.
3. Rotate the Tuning control knob until “SNOOZE X” shown on the display, then press the Tuning control knob to enter the setting. Rotate the Tuning control knob to adjust the silence time. There are 5, 10, 15 and 20 minutes for the snooze timer. Press the Tuning control knob to confirm the setting.
4. To cancel the snooze timer while the alarm is suspended, press the Power button.

Sleep function

The sleep timer switches off the radio after a preset time has elapsed.

GB

1. Press and continue to hold down the Power button for more than 2 seconds, followed by beep tone, the display will cycle through the available sleep times in the order 60-45-30-15-120-90-60. Release the Power button when the required sleep time appears on the display. The symbol  will appear on the display and the radio will play the last station selected.
2. To cancel the sleep function, press the POWER button, and the  symbol will disappear and radio is off.

AUX IN

1. Turn on the radio, and press the Band button until “AUX IN” is displayed.
2. Connect a stereo or mono audio source (ie iPod, MP3 or CD player) to the Aux in socket on the side of the radio. And the AUX-IN light will be on.
3. Adjust the Volume control on your iPod, MP3 or CD player.

Loudness

You can get compensation on lower and higher frequency for your radio by adjusting the Loudness function.

1. Press and hold the Menu button to enter the menu setting.
2. Rotate the Tuning control knob until 'LOUD ON or OFF' appears on the display. Press the Tuning control knob to enter the setting.
3. Rotate the Tuning control knob to choose ON to turn on the loudness function, then press the Tuning control knob to confirm the setting.
4. To turn off the loudness function, select OFF and press the Tuning control knob to confirm the setting.

Software version

The software display cannot be altered and is just for your reference.

1. Press and hold the Menu button to enter the menu setting.
2. Rotate the Tuning control knob until "VER P.XX" shown on the display to view the software version of your radio.

Headphone socket

A 3.5mm headphone socket located on the left-hand side of your radio. That is to provide for either headphones or an earpiece. Inserting a plug automatically mutes the internal speaker.

GB

Factory reset

If your radio fails to operate correctly, or some digits on the display are missing/incomplete or you simply just want to restore to original factory setting, carry out the following procedure.

1. Press and hold the Menu button to enter the menu setting.
2. Rotate the Tuning control knob until “FACTORY” shown on the display. Press the Tuning control knob to enter the setting.
3. Rotate the Tuning control knob to select ‘YES’, and press the Tuning control knob to confirm the setting. A full reset will be performed.

The station list and presets will be set to empty. Alarms will be cancelled and timer and sleep timer settings will be set to their default values.

Specifications

Power Requirements

Power adaptor	DC 12V 700mA center pin positive (USA) AC 12V 600mA (Europe)
Batteries	6 X UM-2 (C size)
Battery Life	Approx. 70 hours of listening for 4 hours A day at normal volume using alkaline cells
Frequency Coverage	FM 87.50 – 108 MHz AM 522 – 1710 kHz (9 kHz/step) or AM 520 – 1710 kHz (10 kHz/step)

Circuit Feature

Loudspeaker	2.5 inches 8 ohm
Output Power	Output Power (Adapter) 10% THD 2W+2W Output Power (Battery 9V Alkaline) 10% THD 1W+1W Output Power (Battery 7.2V Ni-MH) 10% THD 700mW+700mW
Headphone socket	3.5 m dia.
Aerial System	Telescopic aerial

The company reserves the right to amend the specification without notice.



If at any time in the future you should need to dispose of this product please note that: Waste electrical products should not be disposed of with household waste. Please recycle where facilities exist. Check with your Local Authority or retailer for recycling advice. (Waste Electrical and Electronic Equipment Directive)