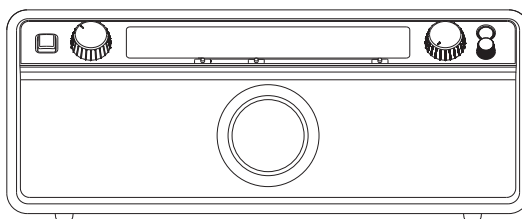


WR-12



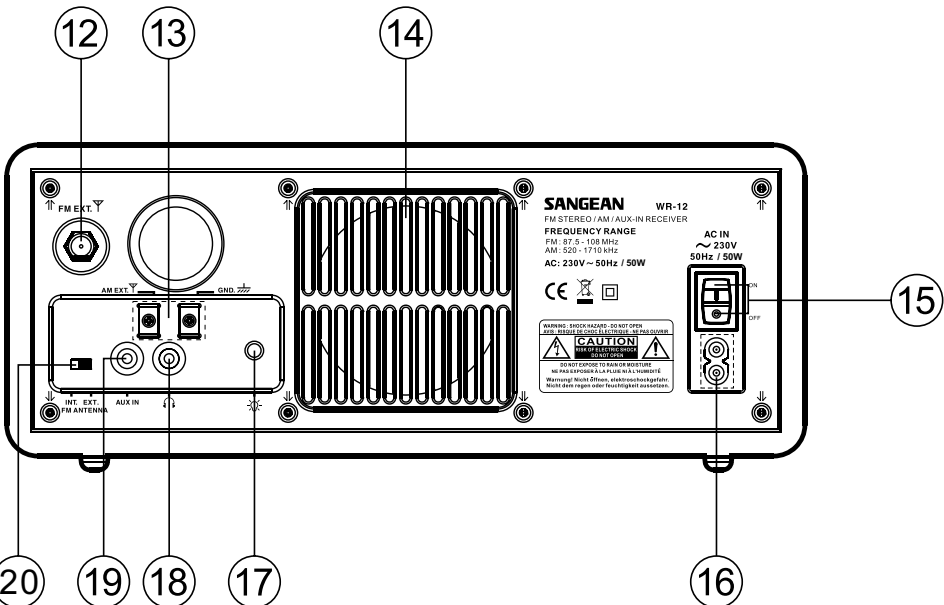
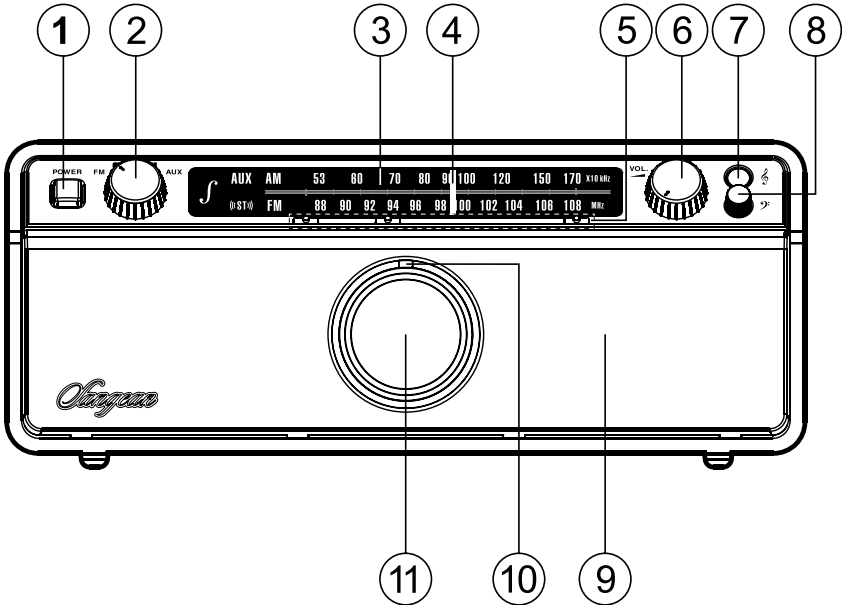
GB

Version 1

Important Safety Instructions

1. Read these instructions.
2. Keep these instructions.
3. Heed all warnings.
4. Follow all instructions.
5. Do not use this apparatus near water.
6. Clean only with dry cloth.
7. Do not block any ventilation openings. Install in accordance with the manufacturer's instructions.
8. Do not install near any heat sources such as radiators, heat registers, stoves, or other apparatus (including amplifiers) that produce heat.
9. Do not defeat the safety purpose of the polarized or grounding-type plug. A polarized plug has two blades with one wider than the other. A grounding type plug has two blades and a third grounding prong. The wide blade or the third prong is provided for your safety. If the provided plug does not fit into your outlet, consult an electrician for replacement of the obsolete outlet.
10. Protect the power cord from being walked on or pinched particularly at plugs, convenience receptacles, and the point where they exit from the apparatus.

11. Only use attachments/accessories specified by the manufacturer.
12. Use only with the cart, stand, tripod, bracket, or table specified by the manufacturer, or sold with the apparatus. When a cart is used, use caution when moving the cart/apparatus combination to avoid injury from tip-over.
13. Unplug this apparatus during lightning storms or when unused for long periods of time.
14. Refer all servicing to qualified service personnel. Servicing is required when the apparatus has been damaged in any way, such as power-supply cord or plug is damaged. liquid has been spilled or objects have fallen into the apparatus, the apparatus has been exposed to rain or moisture, does not operate normally, or has been dropped.
15. To Reduce the Risk of Fire or Electric Shock, Do not Expose This Appliance To Rain or Moisture.
16. The Shock Hazard Marking and Associated Graphical Symbol is provided on the bottom panel of unit.
17. Apparatus shall not be exposed to dripping or splashing and no objects filled with liquids, shall not be placed on the apparatus.
18. Excessive sound pressure on ear- and headphones could impair the hearing ability. Higher setting that idle on the equalizer leads to higher signal voltages on the output for ear and headphones.



Controls

GB

- ① Power button
- ② Band selecting rotary
- ③ Dial scale
- ④ Dial indicator
- ⑤ Dial marker
- ⑥ Volume control
- ⑦ Treble control
- ⑧ Bass control
- ⑨ Speaker
- ⑩ Tuning LED indicator
- ⑪ Tuning control
- ⑫ F-type external antenna terminal
- ⑬ AM external antenna terminal
- ⑭ Subwoofer speaker
- ⑮ AC main power switch
- ⑯ AC power cord socket
- ⑰ Dimmer control
- ⑱ Headphone socket
- ⑲ AUX IN socket
- ⑳ External / internal antenna switch

Power your radio

AC operation

Before you plug the AC cord into the radio, make sure the AC voltage is correct. Insert the plug on the end of the supplied power cord into the AC power socket on the back of the radio and turn on the main power switch.

Antenna setup for FM reception

The radio comes with built-in AM/FM antenna and external antenna.

To use FM internal antenna, make sure to switch FM external/internal antenna switch in the back of your radio to internal antenna position (i.e. INT. FM ANTENNA). As for external antenna, you can use to improve FM reception. Two types of antenna can be used. You can connect the supplied FM wire antenna to the F-type antenna terminal and adjust the wire for best reception.

You can also connect a 75 ohm coaxial cable of outdoor antenna to the terminal. Make sure to switch external/internal antenna switch to external position while using the supplied wire antenna or connecting the outdoor antenna. In some of the European countries, you may have to connect the supplied antenna terminal adaptor to connect with the outdoor antenna.

Operating your radio FM

GB

1. Make sure you have set up the FM antenna in advance and turn on the main power switch in the rear of the unit.
2. Press the power button located in the front panel.
3. Rotate the band selecting rotary to the FM (MONO) or ST(FM stereo).

Note: If the FM radio station being listened to has a weak signal, some hiss may be audible. It is possible to reduce this hiss by forcing the radio to play the station in mono rather than stereo.

4. Rotate the Tuning Control to select the desired station. In FM mode, the tuning scale is marked in MHz (Megahertz). The tuning LED indicator will appear brightest when best tuning has been achieved. In ST mode, the ST tuning LED indicator will illuminate when a stereo station is tuned.
5. Adjust the Volume Control for comfortable listening.
6. Press the power button to turn off the radio.

Antenna setup for AM reception

The radio comes with built-in AM antenna which should be enough for normal listening. To improve the AM reception, you may connect the outdoor AM antenna with AM external antenna terminal.

Operating your radio AM

1. Press the power button located in the front panel.
2. Rotate the Tuning Control to select the desired station. In AM mode, the tuning scale is marked in kHz (Kilohertz). The tuning LED will appear brightest when best tuning has been achieved.
3. Rotate your radio for best reception.
4. Adjust the Volume Control for comfortable listening.
5. Press the power button to turn off the radio.

Dial marker

This device allows you to mark 3 of your favorite station frequency, so that you can find the particular station immediately next time when tuning the stations.

Headphone use

Headphone use with this radio should be fitted with a 3.5 mm jack plug. Insert the headphones plug into the socket marked on the rear side of the radio. When the headphones are plugged in, the loudspeaker is automatically disconnected.

AUX IN socket

Connect a stereo or mono audio source (like CD walkman, iPod or digital media music player) to this input to listen the audio program via the speaker.

GB

Dimmer control

The brightness of the dial scale may be adjusted. If you use the unit in the bedroom, you may prefer a higher brightness level than the standard setting.

Treble / Bass control

The sound on your radio can be adjusted to suit your personal taste for the material that you are listening to. You can set the treble and bass levels to your own preferences.

Note: To adjust the volume without physical interference, you can press down the treble and bass button. It will not change your treble/ bass setting.

Specifications

AC Power:

AC 120 V/60 Hz/50W (max) or AC 230 V/50 Hz/50W (max)

Frequency Coverage:

FM 87.50 - 108 MHz

AM 520 - 1710 kHz

AUX-IN:

3.5mm diameter, stereo

Internal Antenna System:

AM Built-in ferrite aerial

FM Built-in wiring aerial

External antenna terminal:

AM antenna terminal

FM F-type antenna terminal

Output Power:

3W+3W stereo amplifier (1 kHz)

10W subwoofer amplifier (100Hz)

Speaker:

Stereo: 2.25inches 8 ohm

Subwoofer: 3.5inches 4 ohm

Headphones socket:

3.5 mm dia. Stereo jack Stereo output

Output power: 3mW + 3mW (impedance 32ohm)



If at any time in the future you should need to dispose of this product please note that: Waste electrical products should not be disposed of with household waste. Please recycle where facilities exist. Check with your Local Authority or retailer for recycling advice. (Waste Electrical and Electronic Equipment Directive)