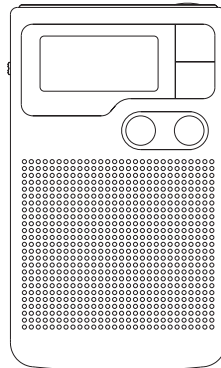




DT-400W



GB

Rersion 1





Limited Warranty

Sangean America, Inc. warrants this product to be free from defects in material and workmanship under normal use and conditions for a period of 90 (Ninety) days from the date of original purchase on parts and labor.

Should service be necessary for any reason due to manufacturing defect or malfunction during the warranty period Sangean America, Inc. will repair or replace at its description, the defective merchandise at no charge (except for small charge for handling, packing, return postage and insurance), upon delivery of this product to Sangean America, Inc. service center with a copy of proof of purchase date.

Warranty is only valid in the United States of America, Canada, and Mexico and is not transferable to owners subsequent to the original owner. This warranty does not cover intentional or accidentally damaged product, or items used in ways other than the item was intended to be, units repaired or altered by persons other than Sangean America, Inc., or damage caused by parts, accessories, or batteries not supplied or approved for use by Sangean America, Inc.

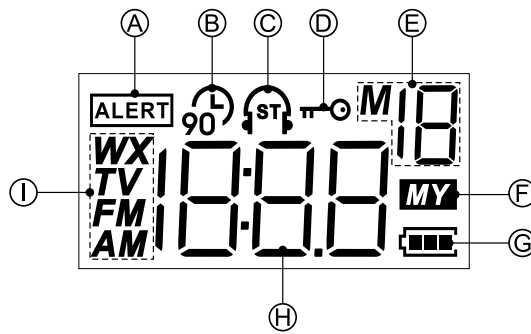
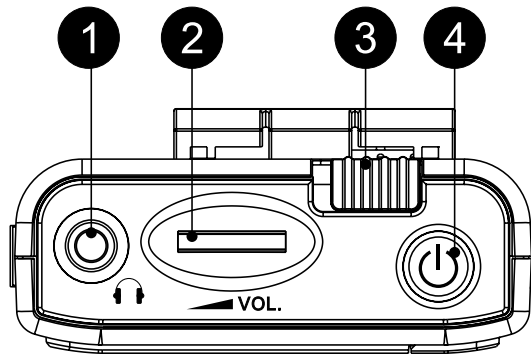


Any applicable implied warranties, including the warranty of merchantability, are limited in duration to a period of 90 (Ninety) days from the date of original purchase. No other warranties, whether expressed or implied shall apply to this product thereafter. Sangean America, Inc. is not liable for any loss or damage, direct or consequential arising out of the use of, or inability to use this product. (Some states do not allow limitation or implied warranties or exclusion of consequential damage, therefore, these restrictions may not apply to you.)

This warranty gives you specific legal rights and these and additional rights may vary from state to state.

To return product for warranty repair:

1. Remove the batteries (if applicable) and carefully pack the unit along with all it's accessories in a suitable well padded corrugated box.
2. Enclose copy of proof of purchase with date and a letter describing your specific problem.
3. Enclose your check or money order payable to Sangean America, Inc. for the sum of \$6.00 for return processing and shipping.
4. Insure and ship the unit via UPS, FedEx, or Parcel Post to:
Sangean America, Inc.
Service Department
9900 Jordan Circle
Santa Fe Springs, CA 90670



① Headphone/Antenna Jack

The earphone also acts as the FM antenna when plugged into the earphone jack. While listening via speaker, you may plug the supplied wire antenna into the earphone jack, and set the ST/MO/SP.

② Volume Control

③ DBB-Deep Bass Boost

Switch on the DBB switch on the back top of the radio to activate the Deep Bass Boost to have stronger bass sound, display will appear DBB symbol. Another press will cancel the DBB.

Note:

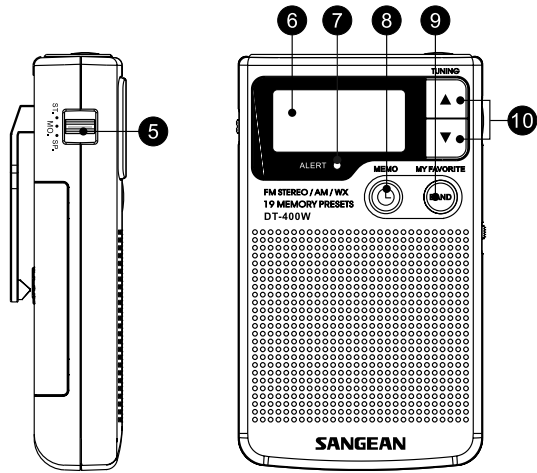
Suggest to activate the DBB only using earphones.

④ Power switch

Power is switched on (⏻ symbol will appear on the display). If you don't need this feature, press Power button for more than 2 seconds until symbol removed from the display.

Display

- Ⓐ Alert Indicator
- Ⓑ 90 Minute Auto Timer Indicator
- Ⓒ Stereo Tuned Indicator
- Ⓓ Lock Button Activated
- Ⓔ Memory Preset Position
- Ⓕ MY Favorites Feature Activated
- Ⓖ Battery Life Indicator
- Ⓗ Time Display
- Ⓘ Band Indicator





6 ST/MO/SP (Stereo/Mono/Speaker)

- Switch the switch to SP (speaker) position, while you listen to the radio program via speaker. Make sure to plug the supplied wire antenna or the earphones to get best FM reception.
- This radio is capable of receiving FM stereo radio program by plug the supplied earphones into the earphones jack and set the ST/MO/SP switch to ST (stereo) position, display will show stereo symbol. If the station being received is weak, some hiss may be audible, to reduce the hiss, switch the ST/MO/SP to MO/(mono) position. The stereo indicator will be removed from the display.

6 LCD Display

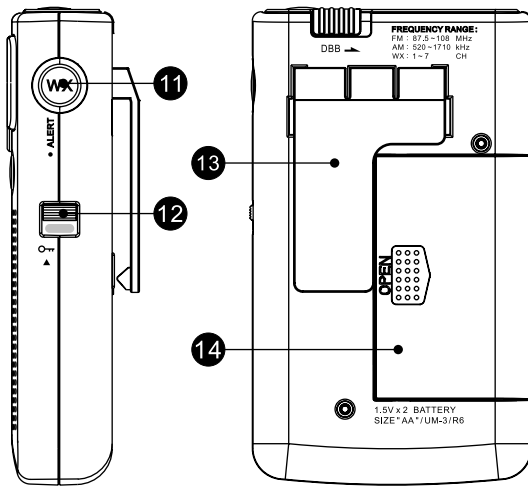
7 ALERT indicator

8 Memory Button/Clock Set

9 Band Selection/My Favorites

10 Manual Tuning








11 Weather Band

12 Lock Switch

The lock switch prevents accidental changing of any of the radio settings.

Slide the lock switch to the up 'locked' position, the  symbol will appear in the display.

The power and all other buttons will be disabled.

13 Belt Clip

A removable belt clip is provided on the back of the unit.

Removal:

It can be removed by gently pushing on the center tab of the clip where indicated, and sliding the clip downward towards the bottom of the radio.

Replacement:

You can easily connect the belt clip by inserting the top of the clip into the designated receiver slots and gently pushing the clip in an upwards motion towards the top of the radio.

14 Battery Compartment





Battery Installation



- Turn radio off.
- Prepare replacement batteries to ensure a quick and easy change. Failure to change batteries within 1 minute will reset presets and clock settings.
- The battery cover is located on the back of the unit. Apply a gentle downward pressure and slide the door to the right side of the unit.
- Place 2 'AA' batteries inside the unit oriented to the illustration located just below the battery compartment.

NOTE:

A flashing "E" appearing on the LCD display indicates a weak battery and that replacement of batteries is required. And the **Weather Alert will be deactivated**.

Tuning the Radio

Seek Tuning

- Turn radio on using the On/Off button located on the top of the radio.
 - Select desired band by pressing the "Band" selector on the front of the unit.
 - Press and hold the proper tuning button (Up/Down) for approximately ½ second. Radio will seek for next active signal station.
 - Repeat as many times as desired.
- 
- 



Manual Step Tuning

- Turn radio on using the On/Off button located on the top of the radio.
- Select desired band by pressing the “Band” selector on the front of the unit.
- Press the desired tuning button (Up/Down) repeatedly until desired frequency is found.

Memory Tuning

To tune in stations already programmed into memory. See Setting Memory Section for instructions on how to program stations into radio memory.

1. Turn radio on using the On/Off button located on the top of the radio.
2. Press “My Favorites” button located on the right side of the radio. “MY” should appear on the right hand of the display indicating function is on.
3. Use tuning controls (Up/Down) to navigate through memory programmed stations.
4. Press “My Favorites” button to turn off memory tuning.





Setting Memory

- Turn radio on using the On/Off button located on the top of the radio.
 - Select desired band by pressing the “Band” selector on the front of the unit.
 - Tune to desired station using either Manual Step Tuning or Scan Tuning options.
 - Press Memory Button located on the front of radio unit and use the tuning controls (Up/Down) to reach memory position as indicated in the top-right of the display.
 - Press Memory Button located on the front of the unit to lock station into memory.
- * There are 19 memory sets.

Weather Band and weather alert operation

1. When that radio is on, press the WX button to switch between AM/FM and Weather Band.
Then press TUNING UP or DOWN select the Weather Band channel.
2. When the radio is in the Weather Band, press and hold the WX button for more than 3 seconds to enter the Weather Alert mode.
3. Press the TUNING UP or DOWN to select the Weather Alert time (OFF , 4H, 8H, 16H or OFF).





4. Press the WX button to confirm the setting.
5. Press the POWER button to turn off the radio.
And the ALERT indicator flashes every 3 seconds and the word "ALERT" is shown on the display. You can press the WX button and the display shows the Weather Alert channel and remained time.
6. When the Weather Alert sounds, press any button to enter the Weather Band.
7. When the set Alert time is elapsed, the Alert is deactivated.

* There is no memory preset for Weather band.

About Weather Band standby mode:

1. Reception: The reception related to the distance to the radio station, broadcast signal strength, earphone allocation and so. Try to stretch out the earphone to get better reception.
2. Weather broadcasts usually transmit signal every Wednesday noon time. You can test your alarm at this time.
3. Alarm standby mode consumes power.
4. When the battery is low, and changing battery eliminate the alarm set.





Setting the Clock

This unit features a clock that will display the current time while off. To set the clock:

- Turn unit off by depressing the power button located on the top of the radio.
- Press and hold MEMO or CLOCK button until the hour setting begins blinking and the colon is no longer blinking.
- Select hour by using the Tuning Control Buttons located just to the right of the display. Adjust UP or DOWN accordingly until desired hour is displayed.
- Press MEMO or CLOCK button once to set the minutes.
- The minute indicator should now be blinking. Using the Tuning Control Buttons located just to the right of the display. Adjust UP or DOWN accordingly until desired minutes is displayed.
- Once time displayed matches desired setting press MEMO or CLOCK button once more.
- Time should display solidly, with the colon blinking periodically.





Change AM (MW) band tuning step

In Europe and other parts of the world, AM (MW) tuning step are 9 kHz, in America the AM tuning step is 10 kHz.

To change the AM tuning step from 10 kHz to 9 kHz, proceed as follows:

1. Press Tuning Down button and hold meanwhile press the Power button and hold.
2. Until the display shows SEP 9 then shows 522.
3. The AM frequency step is 9kHz now.

To change the AM tuning step from 9 kHz to 10 kHz, proceed as follows,

1. Press Tuning UP button then Power button and hold meanwhile press the Power button and hold.
2. Until the display shows SEP 10 then shows 520.
3. The AM frequency step is 10kHz now.

Specification

FM: 87.5 - 108.0 MHz,step 100k

AM: 522 - 1629 kHz,step 9k

520 - 1710 kHz,step 10k

WX: USA 1-7ch with alert

